

Zirkon® DIS Pool

Kuntze sensors stand for quality and are manufactured by our own production. Made in Germany.

Zirkon® DIS Pool is a potentiostatic sensor using an amperometric measurement. Measurement parameter and range are selected in the analyzer software.

Advantages

- > Automatic cleaning by ASR® possible
- > Stable zeropoint
- > High quality Zirkon junction for reliable measurement results

Measuring Parameter

- > Free Chlorine: Up to 1000 µg/l; up to 5,00 ; 10,00 ; 20,00 mg/l
- > Chlorine Dioxide: Up to 1000 µg/l; up to 5,00 ; 10,00 ; 20,00 mg/l
- > Ozone: Up to 1000 µg/l; up to 5,00 ; 10,00 mg/l
- > Hydrogen Peroxide: Up to 1000 µg/l; up to 5,00; 10,00 ; 20,00 mg/l
- > Total Chlorine: Up 0-1000 µg/l ; 5,00 ; 10,00 ; 20,00 mg/l

Process Conditions

- > Max. Pressure: < 10 bar at 20 °C
- > Min. Conductivity: > 150 µS/cm
- > Temperature: -5...+70 °C

Mechanical Construction

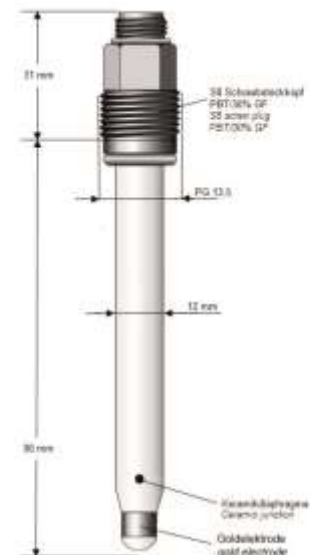
- > Junction: Zirkon
- > Shaft Material: Glass
- > Shaft Length: 80 mm
- > Shaft Diameter: 12 mm
- > Electrode Material: Gold ring
- > Reference System: Ag / AgCl / saturated KCl
- > Process Connection: S8 Plug (swivel PG 13.5)
- > Electrical Connection: 2 Poles
- > Temperature Sensor: None
- > Installation Depth: 80 mm
- > Potential Compensation: None

Article No.: S24135288K
Order Code: 237513110

Zirkon® DIS Pool



Mechanical Drawing





Kuntze Instruments GmbH
Robert-Bosch-Str. 7a
40688 Meerbusch
Germany

+49 2150 70660
info@kuntze.com
www.kuntze.com