

Zirkon® DIS

Kuntze sensors stand for quality and are manufactured by our own production. Made in Germany.

Zirkon® DIS is a potentiostatic sensor using an amperometric measurement. Measurement parameter and range are selected in the analyzer software.

Advantages

- > Automatic cleaning by ASR® possible
- > Low maintenance due to gel filling
- > Stable zeropoint
- > High quality Zirkon® junction for reliable measurement results

Measuring Parameter

- > Free Chlorine: Up to 1000 µg/l; up to 5,00 ; 10,00 ; 20,00 mg/l
- > Chlorine Dioxide: Up to 1000 µg/l; up to 5,00 ; 10,00 ; 20,00 mg/l
- > Ozone: Up to 1000 µg/l; up to 5,00 ; 10,00 mg/l
- > Hydrogen Peroxide: Up to 30,00 mg/l
- > Total Chlorine: Up 0-1000 µg/l ; 5,00 ; 10,00 ; 20,00 mg/l

Process Conditions

- > Max. Pressure: < 10 bar at 20 °C
- > Temperature: -5...+70 °C

Mechanical Construction

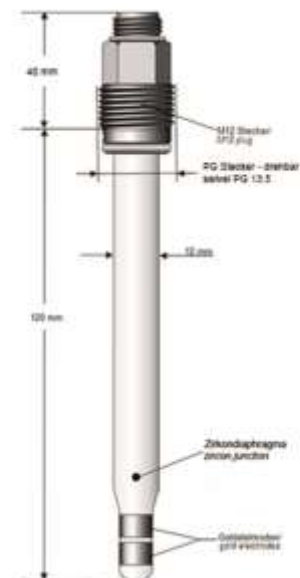
- > Junction: Zirkon
- > Shaft Material: Glass
- > Shaft Length: 120 mm
- > Shaft Diameter: 12 mm
- > Electrode Material: 2 Gold rings
- > Reference System: Ag / AgCl / Tepox Gel
- > Process Connection: M12 Plug (swivel PG 13.5)
- > Electrical Connection: 5 Poles
- > Temperature Sensor: None
- > Installation Depth: 120 mm
- > Potential Compensation: None

Article No.: S24135140K
Order Code: 231612500

Zirkon® DIS



Mechanical Drawing





Kuntze Instruments GmbH

Robert-Bosch-Str. 7a
40688 Meerbusch
Germany

+49 2150 70660
info@kuntze.com
www.kuntze.com