

## Zirkon® Redox Process HT

Kuntze sensors stand for quality and are manufactured by our own production. Made in Germany.

Zirkon® Redox Process HT is a high temperature specialist can be used for professional applications, such as steriliation. The sensor is specially built to withstand aggressive media.

### Advantages

- > Thermally stable up to 135°C
- > Low maintenance due to gel filling
- > Suitable for aggressive media
- > Dirt-repellent and corrosion resistant PTFE junction

### Measuring Parameter

- > Redox Potential (ORP): -1500.. +1500 mV

### Process Conditions

- > Max. Pressure: < 2 bar at 20 °C
- > Min. Conductivity: > 150  $\mu\text{S}/\text{cm}$
- > Temperature: -5...+135 °C

### Mechanical Construction

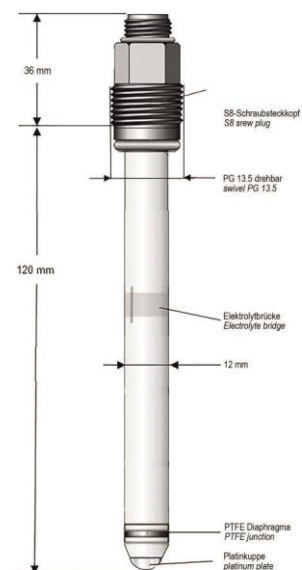
- > Junction: PTFE
- > Shaft Material: Glass
- > Shaft Length: 120 mm
- > Shaft Diameter: 12 mm
- > Electrode Material: Platinum plate
- > Reference System: Ag / AgCl / Tepox Gel
- > Process Connection: S8 Plug (swivel PG 13.5)
- > Electrical Connection: 2 Poles
- > Temperature Sensor: None
- > Installation Depth: 120 mm
- > Potential Compensation: None

**Article No.:** S24135301K  
**Order Code:** 218379100

### Zirkon® Redox Process HT



### Mechanical Drawing





**Kuntze Instruments GmbH**

Robert-Bosch-Str. 7a  
40688 Meerbusch  
Germany

+49 2150 70660  
info@kuntze.com  
www.kuntze.com