

Zirkon® Redox Pool

Kuntze sensors stand for quality and are manufactured by our own production. Made in Germany.

Zirkon® Redox Pool is a high-quality sensor specially designed for pool and spa applications. The sensor is particularly suitable for drinking and process water applications. The chosen materials ensure a long-term and reliable measurement.

Advantages

- > Extended service life due to salt reservoir
- > High quality Zirkon junction for reliable measurement results
- > Good price / performance ratio

Measuring Parameter

- > Redox Potential (ORP): -1500.. +1500 mV

Process Conditions

- > Max. Pressure: < 2 bar at 20 °C
- > Min. Conductivity: > 50 $\mu\text{S}/\text{cm}$
- > Temperature: -5..+70 °C

Mechanical Construction

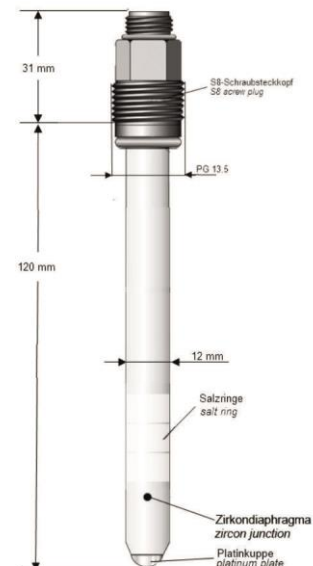
- > Junction: Zirkon
- > Shaft Material: Glass
- > Shaft Length: 120 mm
- > Shaft Diameter: 12 mm
- > Electrode Material: Platinum plate
- > Reference System: Ag / AgCl / Saturated KCl
- > Process Connection: S8 Plug (swivel PG 13.5)
- > Electrical Connection: 2 Poles
- > Temperature Sensor: None
- > Installation Depth: 120 mm
- > Potential Compensation: None

Article No.: S24135285K
Order Code: 217313100

Zirkon® Redox Pool



Mechanical Drawing





Kuntze Instruments GmbH

Robert-Bosch-Str. 7a
40688 Meerbusch
Germany

+49 2150 70660
info@kuntze.com
www.kuntze.com