

Zirkon® Redox Process

Kuntze sensors stand for quality and are manufactured by our own production. Made in Germany.

Zirkon® Redox Process is a high-quality sensor specially built to withstand aggressive media.

Advantages

- > Low maintenance due to gel filling
- > Suitable for aggressive media
- > Dirt-repellent and corrosion resistant PTFE junction

Measuring Parameter

- > Redox Potential (ORP): -1500.. +1500 mV

Process Conditions

- > Max. Pressure: < 10 bar bei 20 °C
- > Min. Conductivity: > 150 µS/cm
- > Temperature: -5...+70 °C

Mechanical Construction

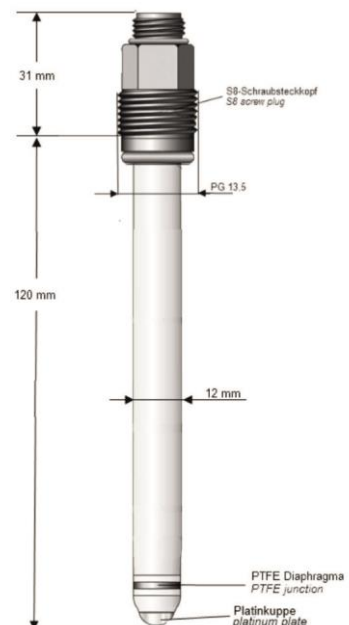
- > Junction: PTFE
- > Shaft Material: Glass
- > Shaft Length: 120 mm
- > Shaft Diameter: 12 mm
- > Electrode Material: Platinum ring + Platinum plate
- > Reference System: Ag / AgCl / Tepox Gel
- > Process Connection: S8 Plug (swivel PG 13.5)
- > Electrical Connection: 2 Poles
- > Temperature Sensor: None
- > Installation Depth: 120 mm
- > Potential Compensation: None

Article No.: S24135270K
Order Code: 213372100

Zirkon® Redox Process



Mechanical Drawing





Kuntze Instruments GmbH

Robert-Bosch-Str. 7a
40688 Meerbusch
Germany

+49 2150 70660
info@kuntze.com
www.kuntze.com