

## Zirkon® Redox Wide Body

Kuntze sensors stand for quality and are manufactured by our own production in Germany.

### Application

- > Flotation and Leaching
- > Neutralization and Outlet monitoring

### Advantages

- > Annular junction, designed to withstand tough industrial applications
- > Threaded connection 3/4" NPT top and bottom for easy installation
- > Protection guard against electrode damage
- > Rugged Ryton® shaft for demanding chemical environments
- > Optional: Built in NTC 30K, Pt100, Pt1000 sensor for temperature compensation
- > Optional: Solution ground for stable measurements in demanding application
- > Optional: Molded sensor cable with BNC plug application

### Measuring Parameter

- > ORP: -1500... +1500 mV

### Process Conditions

- > Max. Pressure: < 10 bar at 20 °C
- > Min. Conductivity: 50 µS/cm
- > Temperature: -5...+110 °C

### Mechanical Construction

- > Junction: PTFE
- > Shaft Material: Ryton®
- > Shaft Length: 150 mm with protective guard
- > Shaft Diameter: Hexagon 26 mm
- > Electrode Material: Platinum Plate
- > Reference System: Ag / AgCl / Solid electrolyte
- > Process Connection: 3/4" NPT
- > Electrical Connection: S8 (2 poles), fixed cable 6 m, fixed cable with BNC plug
- > Temperature sensor: Pt1000, None
- > Installation depth: 25 mm
- > Potential Compensation: Optional

### Article No. / Order Code

#### S24136511K / 2191100010:

With protection guard, platinum cap, 2 poles connection for S8 cable

#### S24136512K / 219110003K06:

With protection guard, platinum cap, fixed cable 3 mm with BNC, length 6 m

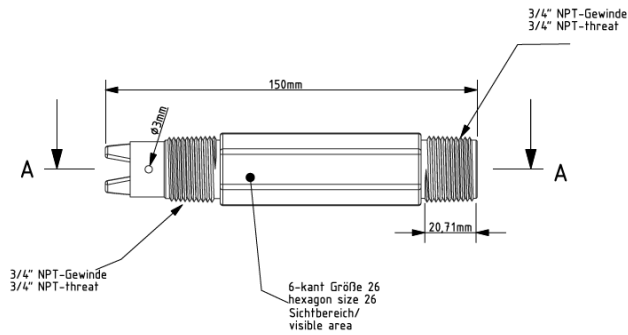
#### S24136513K / 219112104K06:

With protection guard, platinum cap, Pt1000, built in solution ground, fixed cable with ferrules, length 6 m



Zirkon® Redox Wide Body

## Mechanical drawing



## Order Code

<b>Group</b>	219	Zirkon® Redox Wide Body
<b>Protective guard</b>	0	None
	1	With
<b>Measuring electrode</b>	1	Platinum cap
<b>Temperature sensor</b>	0	None
	1	Pt 100
	2	Pt 1000
	3	NTC 30 kΩ
	9	Customer specification
<b>Solution ground</b>	0	None
	1	Built in
<b>Electrolyte (contact to process)</b>	0	Tepoxgel
	9	Customer specification
<b>Connection</b>	1	2-pole screw connection (temperature sensor 0 and solution ground 0 only)
	2	VP Variopin plug
	3	Fixed cable 3 mm with BNC (temperature sensor 0 and solution ground 0 only)
	4	Fixed cable 7,5 mm with ferrules
	9	Customer specification
<b>Other</b>	0	None
	K06	Fixed cable length 6 m
	9	Customer specification



### Kuntze Instruments GmbH

Robert-Bosch-Str. 7a  
40688 Meerbusch  
Germany

+49 2150 70660  
info@kuntze.com  
www.kuntze.com