

## Zirkon® Redox Pool

Kuntze sensors stand for quality and are manufactured by our own production. Made in Germany.

Zirkon® Redox Pool is a high-quality sensor specially designed for pool and spa applications. The sensor is particularly suitable for drinking and process water applications. The chosen materials ensure a long-term and reliable measurement.

### Advantages

- > Low maintenance due to gel filling
- > Extended service life due to salt reservoir
- > High quality Zirkon junction for reliable measurement results

### Measuring Parameter

- > Redox Potential (ORP): -1500.. +1500 mV

### Process Conditions

- > Max. Pressure: < 2 bar at 20 °C
- > Temperature: -5..+70 °C

### Mechanical Construction

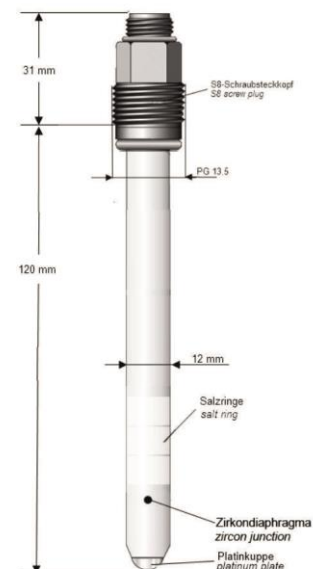
- > Junction: Zirkon
- > Shaft Material: Glass
- > Shaft Length: 120 mm
- > Shaft Diameter: 12 mm
- > Electrode Material: Platinum Plate
- > Reference System: Ag / AgCl / saturated KCl
- > Process Connection: S8 Plug (Swivel PG 13.5)
- > Electrical Connection: 2 Poles

**Article No.: S24135285K**  
**Order Code: 217313100**

### Zirkon® Redox Pool



### Mechanical Drawing





**Kuntze Instruments GmbH**  
Robert-Bosch-Str. 7a  
40688 Meerbusch  
Germany

+49 2150 70660  
info@kuntze.com  
www.kuntze.com