

## Krypton® DIS

Disinfectant measurement

### Single channel water monitoring system

Controlled and reliable measurements are driven by Kuntze Krypton® systems. The measuring system includes all customer needs for disinfectant measurements: instrument, software, sensors, assembly and cables.

The Kuntze Krypton® DIS is used to measure Free Chlorine, Chlorine Dioxide, Ozone or Hydrogen Peroxide and temperature. Measuring range can be chosen via the instruments menu. Kuntze Krypton® DIS is delivered fully assembled and ready to use.

The water measurement process can be controlled at any time, from any place, on any device via Kuntze's Cloud Connect® service. All Kuntze products are Made in Germany.



### Applications



Process Water



Disinfection



Drinking Water



Waste Water  
Treatment



Pool & Spa

# Krypton® DIS

## Technical data

### Measuring range

Free Chlorine, Chlorine Dioxide, Ozone Hydrogen Peroxide	up to 1000 µg/l, 5,00 / 10,00 / 20,00 mg/l up to 1000 µg/l, 5,00 / 10,00 mg/l up to 30,00 mg/l
--	--

### Input characteristic

Temperature measuring range	-30,0.. +140,0 °C (-22.0°.. 284 °F)
Temperature compensation	0,0.. 8,0 %/K adjustable coefficient
Digital input	1 as controller stop by external contact, option: 2nd as controller stop or flow measurement for volume based dosing
Process conditions assembly	Flow input > 0.5bar (7.3 psi) Flow output after ~30l/h (7.9 gph) Stabiflow Temperature 0..50 °C pressure < 6 bar @20°C (87psi @ 68°F)

### Output characteristics

Alarm relay	1 potential-free N/O contact, max. 250 V, 6 A, 550 VA (invertable)
Output signal	Optional: 2 x 0/4 .. 20 mA (scaleable, galvanically isolated) Load Max. 500 Ohm
Storage media	Registration range Scaleable within the measuring range SD card up to 1 GB - Industry standard
Serial interface	Option RS 485 Modbus RTU Baud rate 19200 bps Data format 8 bit

### Power supply

Line voltage	85.. 265 V AC, +6/-10 %, 50.. 60 Hz; option: 24 V DC
Power consumption	10 VA

### Process conditions

Temperature	Storage -20°.. +65 °C (-4 °..+149 °F) exception sensor: 0..+30 °C (32 °..86 °F) Operation 0 .. +50 °C (32 °.. 122 °F)
pH range	Free Chlorine pH 6...8 Chlorine Dioxide, Ozon, Hydrogen Peroxid pH 6...9
Humidity	Max. 90 % rH at 40°C (non-condensing)
Ingress protection	Wall mounted IP 65

### Controller

Control response	Option: on/off controller (adjustable hysteresis) P/PI/ PID controller (pulse-pause, pulse-frequency or continuous output) 3-point controller
Relay	2 relays, each with a potential-free N/O contact, max. 250 V, 6 A, 550 VA
Start delay	0.. 200 sec until controller activation
Controller stop	Digital input

**Proportion to volume**

Control mode	Option: volumed based by flow measurement
Flow measurement	Impuls measurement NPN (by digital input 2)
Flow measurement	Engine speed 0.030.. 9.999 l/Imp
Relais 1	Potential-free N/O contact, max. 250 V, 6 A, 550 VA (pulse-pause, pulse-frequency)
Relay 2	Activating circulation pump

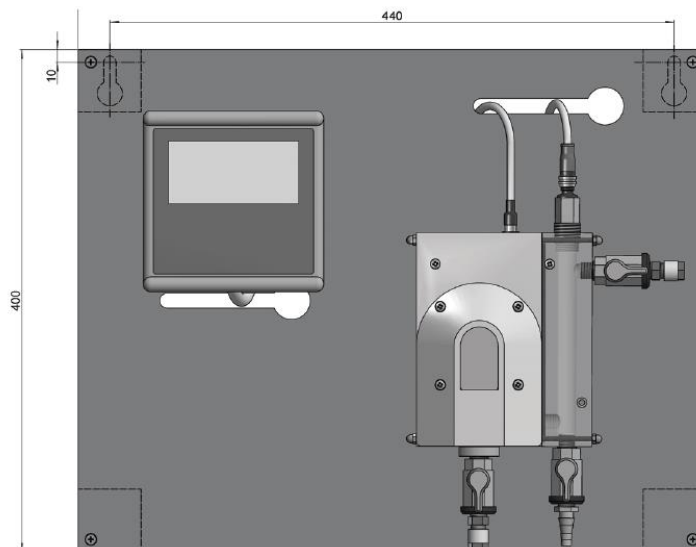
**Certificates and approval**

CE-Symbol	The product meets the requirements of the harmonized European standards and complies with the legal requirements of the EC directives
EMC	EN 61000 6-1 (3) EN 61000 6-2 (4) EN 61326

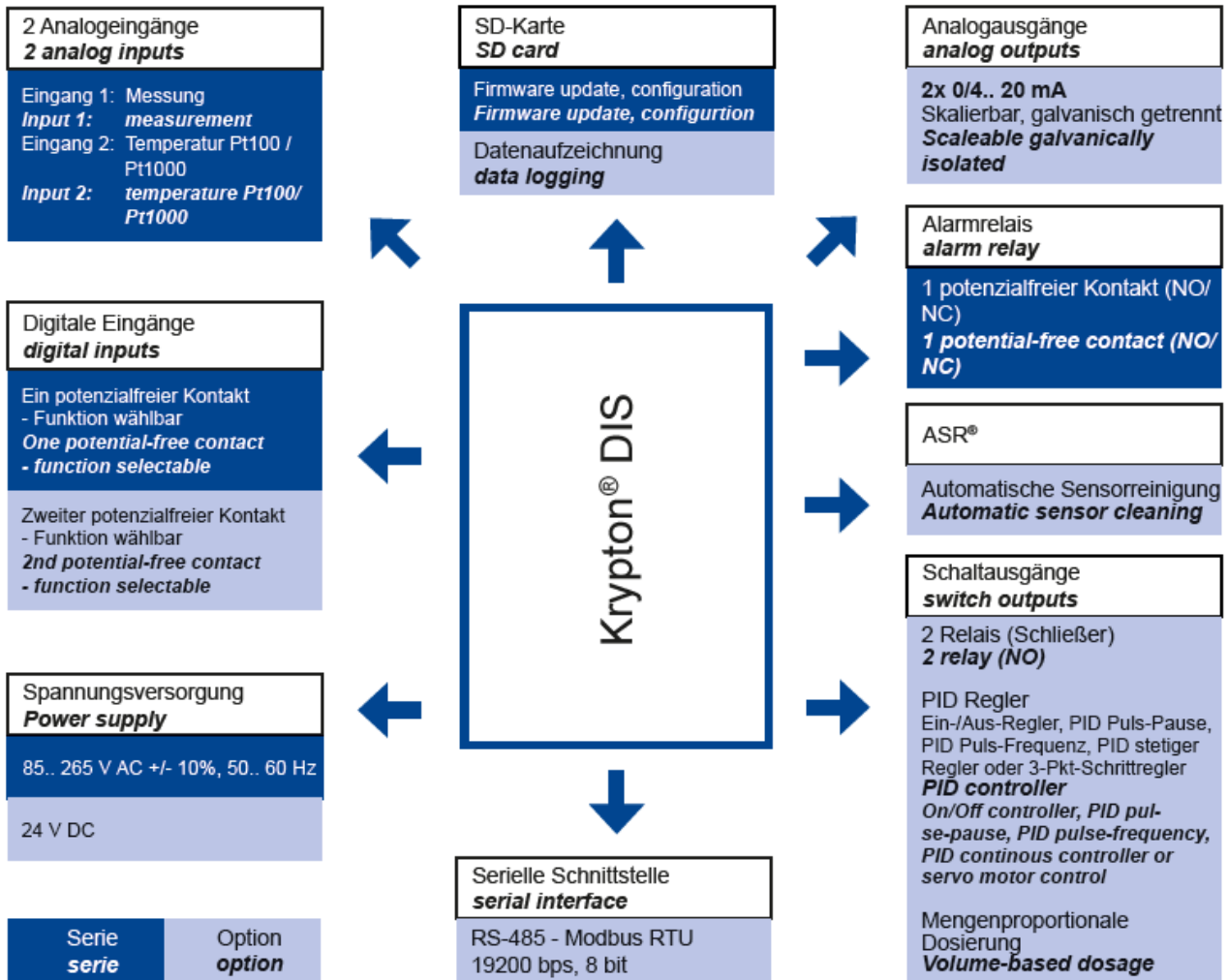
**Design configuration**

Material	Board Assembly Instrument Sensor	PVC PVC ABS Glass, plastic / gold / platin / Hastelloy
Dimensions	400 x 500 mm	
Connection	cable inlet plug-in terminal relays / power supply distribution block water hose connection	1 x M16, 2 x M12 rigid / flexible 0.14 - 1.5 mm <sup>2</sup> rigid / flexible 0.2 - 1 / 0.2 - 1.5 mm <sup>2</sup> rigid / flexible 0,5 - 1,5 / 0,5 - 1,5 mm <sup>2</sup> DN 6/8

**Mechanical drawing**



## Interface diagram



**Kuntze Instruments GmbH**  
 Robert-Bosch-Str. 7a  
 40688 Meerbusch  
 Germany

+49 2150 70660  
 info@kuntze.com  
 www.kuntze.com