

GD 1 V(G) (PP)

Flow assembly for installation of one pH or ORP sensor in pipes with adhesive coupling or pipe coupling DN 25 with 1" female thread. Available in PVC and PP.

Advantages

- > Easy to dismantle
- > Ideal for sensors with thread PG 13.5
- > Easy mounting by bonding or 1" female thread

Technical data

Ambient conditions

- > Max. pressure: PVC: 16 bar (at 20 °C), PP: 10 bar (at 20 °C)
- > Temperature: Max. 40 °C (PVC), max. 90 °C (PP)

Mechanical construction

- > Material: PVC, PP
- > Dimensions: See dimension drawing
- > Installation: GD 1 V: adhesive coupling GD 1 VG (PP): pipe coupling DN 25 with 1" female thread

Articlenumber:

36604261K: Type: GD 1 V, Description: Adhesive coupling (DN 25), PVC

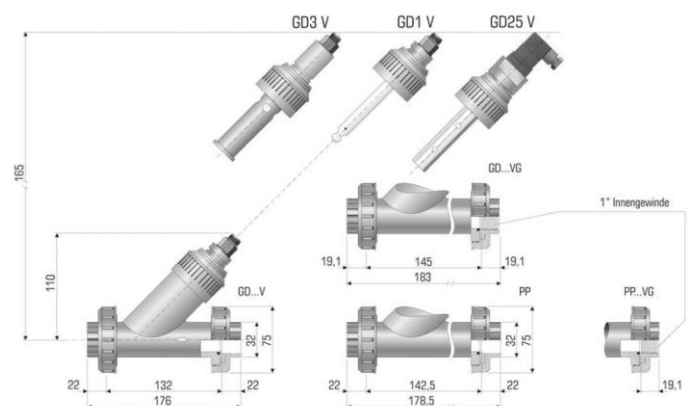
36604263K: Type: GD 1 VG, Description: Pipe coupling (DN 25) with 1" internal thread, PVC

36604265K: Type: GD 1 VG PP, Description: Pipe coupling (DN 25) with 1" internal thread, PP

GD 1 VG



Mechanical drawing





Kuntze Instruments GmbH

Robert-Bosch-Str. 7a
40688 Meerbusch
Germany

+49 2150 70660
info@kuntze.com
www.kuntze.com