

GD 25 V(G) (PP)

Flow assembly for installation of one conductive sensor LE 44 Pt in pipes with adhesive coupling or pipe coupling DN 25 with 1" female thread. Available in PVC and PP.

Advantages

- > Easy to dismantle
- > Easy mounting by bonding or 1" female thread

Technical data

Ambient conditions

- > Max. pressure: PVC: 16 bar (at 20 °C) PP: 10 bar (at 20 °C)
- > Temperature: Max. 40 °C (PVC), max. 90 °C (PP)

Mechanical construction

- > Material: PVC, PP
- > Dimensions: See dimensional drawing
- > Installation:
GD 25 V: adhesive coupling GD 25 VG, (PP):
Pipe coupling DN 25 with 1" female thread

Articlenumber:

36604230K: Type: GD 25 V,
Description: Adhesive coupling (DN 25), PVC

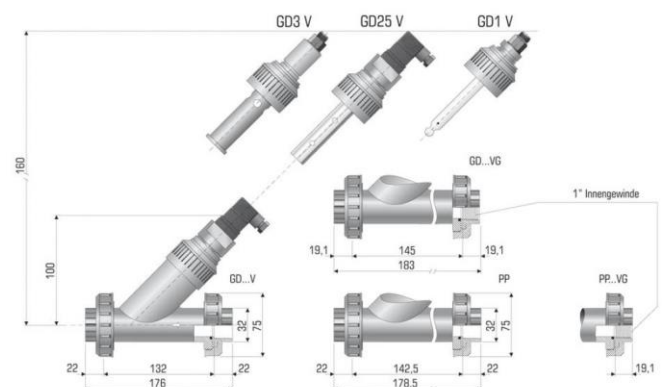
36604231K: Type: GD 25 VG,
Description: Pipe coupling (DN 25) with 1" internal thread, PVC

36604235K: Type: GD 25 VG,
Description: Pipe coupling (DN 25) with 1" internal thread, PP

GD 25 V(G) (PP)



Mechanical drawing





Kuntze Instruments GmbH
Robert-Bosch-Str. 7a
40688 Meerbusch
Germany

+49 2150 70660
info@kuntze.com
www.kuntze.com