

GD 40 IL

PP or PVC Flow assembly for installation of one conductivity sensor IL 15.

GD 40 IL

Particular characteristics

- > Installation of the sensor by threaded connection
- > For measuring in pipes

Advantages

- > Installation of the sensor by threaded connection
- > For measuring in pipes

Technical data

Ambient conditions

- > Max. pressure: PVC: 16 bar (at 20 °C),
PP: 10 bar (at 20 °C)
- > Temperature: max. 40 °C (PVC),
max. 90 °C (PP)

Mechanical construction

- > Material: PVC, PP
- > Dimensions: See dimensional drawing
- > Installation: PVC: adhesive coupling d = 50 mm
PP: welded sleeve d = 50 mm

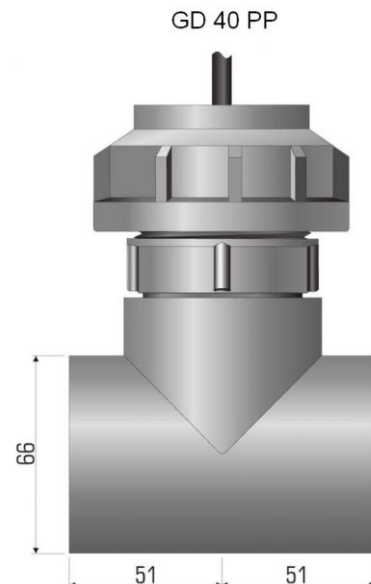
Articlenumber:

36604026K: Type: GD 40 IL PVC,
Description: Adhesive coupling d = 50 mm, PVC

36604025K: Type: GD 40 IL PP,
Description: Welded sleeve d = 50mm, PP



Mechanical drawing





Kuntze Instruments GmbH
Robert-Bosch-Str. 7a
40688 Meerbusch
Germany

+49 2150 70660
info@kuntze.com
www.kuntze.com