

GD 43

Flow assembly for installation of max 3 sensors (e.g. pH and/ or ORP electrodes and temperature sensors) in pipes.

Advantages

- > Easy to dismantle
- > Ideal for sensors with S8 screw plug-in (PG 13,5)
- > Transparent

Technical data

Ambient conditions

- > Max. pressure: 6 bar (at 20 °C)
- > Temperature: Max. 60 °C

Mechanical constructions

- > Material: PP, Makrolon
- > Dimensions: See dimensional drawing
- > Installation: Fittings 6/8 mm hoses or pipes

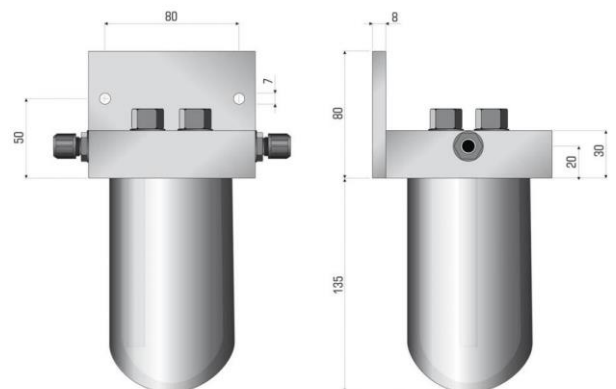
Articlenumber:

36601171K, Type: GD 43,
Description: For max. 3 sensors

GD 43



Mechanical drawing





Kuntze Instruments GmbH
Robert-Bosch-Str. 7a
40688 Meerbusch
Germany

+49 2150 70660
info@kuntze.com
www.kuntze.com