

## Zirkon® DIS

Article Number S24135130K

Order Code 231512110



**KUNTZE Sensors** stand for quality and are manufactured by our own production. Made in Germany.

Zirkon® DIS is a potentiostatic sensor using an amperometric measurement. Measurement parameter and range are selected in the analyzer software.

### Advantages of the Zirkon® DIS

- Low maintenance due to gel filling
- Stable zeropoint
- High quality Zirkon junction for reliable measurement results

### Measuring Parameter

Free Chlorine	up to 1000 ppb; up to 5,00 / 10,00 / 20,00 ppm
Chlorine Dioxide	up to 1000 ppb; up to 5,00 / 10,00 / 20,00 ppm
Ozone	up to 1000 ppb; up to 5,00 / 10,00 / 20,00 ppm

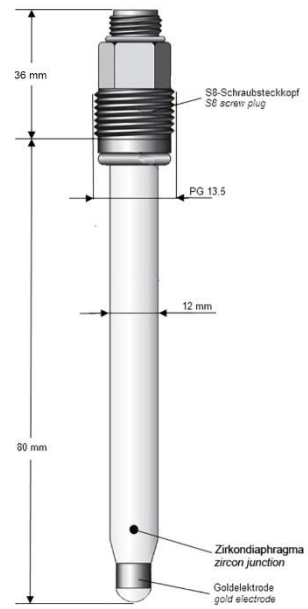
### Process Conditions

Max. Pressure	<145 psi at 68°F
Temperature	25...160°F

### Mechanical Construction

Junction	Zirkon
Shaft Material	Glass
Shaft Length	80 mm
Shaft Diameter	12 mm
Electrode Material	Gold Ring
Reference System	Ag / AgCl / Tepox Gel
Process Connection	S8 Plug (Swivel PG 13.5)
Electrical Connection	6 Poles

## Mechanical Drawing



Zirkon® DIS  
S24135130K