

## Zirkon® Redox Universal

Article Number S24135220K

Order Code 211312100



**KUNTZE Sensors** stand for quality and are manufactured by our own production. Made in Germany.

Zirkon® pH Redox Universal is a high-quality allround sensor for use in many media. The sensor is particularly suitable for drinking and process water applications.

### Advantages of the Zirkon® Redox Universal

- Low maintenance due to gel filling
- Long service life
- High quality Zirkon junction for reliable measurement results

### Measuring Parameter

Redox Potential (ORP) -1500.. +1500 mV

### Process Conditions

Max. Pressure <2 bar at 20°C

Temperature -5..+70°C

### Mechanical Construction

Junction Zirkon

Shaft Material Glass

Shaft Length 120 mm

Shaft Diameter 12 mm

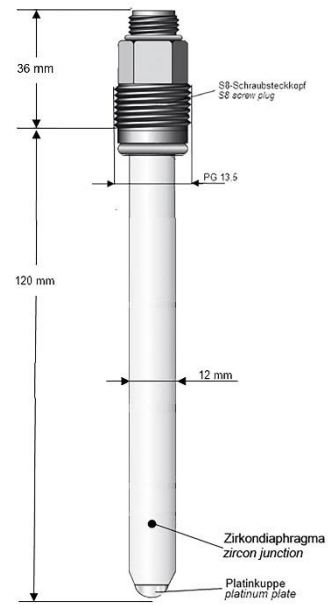
Electrode Material Platinum Plate

Reference System Ag / AgCl / Tepox Gel

Process Connection S8 Plug (Swivel PG 13.5)

Electrical Connection 2 Poles

## Mechanical Drawing



Zirkon® Redox Universal  
S24135220K