

## Krypton® pR Flow

pH / ORP measurement

### Single channel water monitoring instrument

Neon® is a leading edge measuring and control instrument. Its range of functions can be tailored according to customers' applications. The entry level version contains inputs for measurements and temperature, one digital input and an alarm relay.

Neon's® water measurement process can be controlled at any time, from any place, on any device via Kuntze's Cloud Connect® service. All Kuntze products are Made in Germany.



### Applications



Process Water



Disinfection



Drinking Water



Food & Beverage



Waste Water  
Treatment



Pool & Spa

## Technical data

### Measuring range

pH-value	-2.00.. +16.00 pH
ORP	-1500.. +1500 mV

### Input characteristic

Temperature measuring range	-30.0 °.. +140.0 °C (-22.0 °.. 284.0 °F)
Temperature compensation	Nonlinear (pH)
Digital input	1. Input by external contact, Option: 2nd input as controller stop or flow measurement for volume based dosing

### Output characteristics

Alarm relay	1 potential-free N/O contact, max. 250 V, 6 A, 550 VA (invertible)
Output signal	Option: 2 x 0/4 .. 20 mA (scalable, galvanically isolated) Load: Max. 500 Ohm Registration range: Scalable within the measuring range
Voltage output	+/- 6 VDC for impedance converter
Storage media	SD card up to 1 GB - Industry standard
Serial interface	Option: RS 485 Modbus RTU Baud rate: 19200 bps Data format: 8 bit

### Power supply

Line voltage	85.. 265 V AC, +6/-10 %, 50.. 60 Hz; option: 24 V DC
Power consumption	10 VA

### Process conditions

Temperature	Storage: -20 °.. +65 °C (-4 °..+149 °F) Operation: 0 .. +50 °C (32 °.. 122 °F)
Humidity	Max. 90 % rH at 40 °C (non-condensing)
Protection class	IP 65

### Controller

Control response	Option: on / off controller (adjustable hysteresis) P / PI / PID controller (pulse-pause, pulse-frequency or continuous output) servo motor control
Relay	2 relays, each with a potential-free N/O contact, max. 250 V, 6 A, 550 VA
Start delay	0.. 200 sec until controller active
Controller stop	Digital input

### Proportion to volum

Control mode	Option: volumed based by flow measurement
Flow measurement	Impuls measurement NPN (by digital input 2)
Flow measurement	Engine speed: 0.030.. 9.999 l/Imp
Relay 1	Potential-free N/O contact, max. 250 V, 6 A, 550 VA (pulse-pause, pulse-frequency)
Relay 2	Activating circulation pum

## Certificates and approval

CE-Symbol

The product meets the requirements of the harmonized European standards and complies with the legal requirements of the EC directives EN 61000 6-1 (3) EN 61000 6-2 (4) EN 61326-1

EMC

## Design configuration

Material

Board: PVC  
Assembly: PMMA  
Plug: PVC  
Instrument: ABS  
Sensor: Glass, Plastic / Gold / Platinum

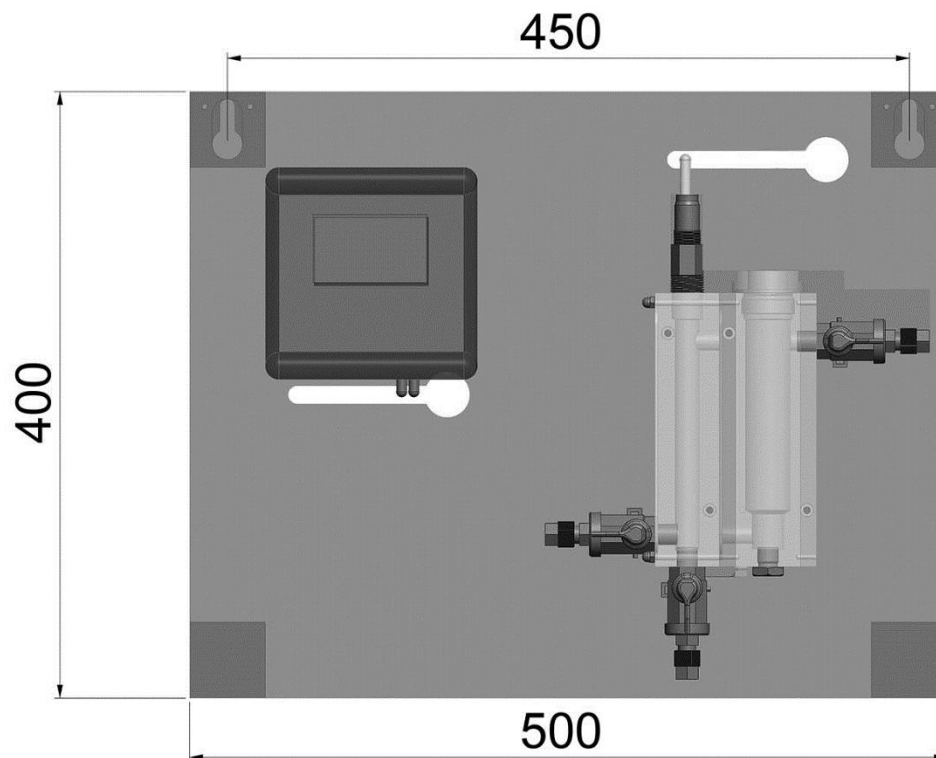
Dimensions

Connection

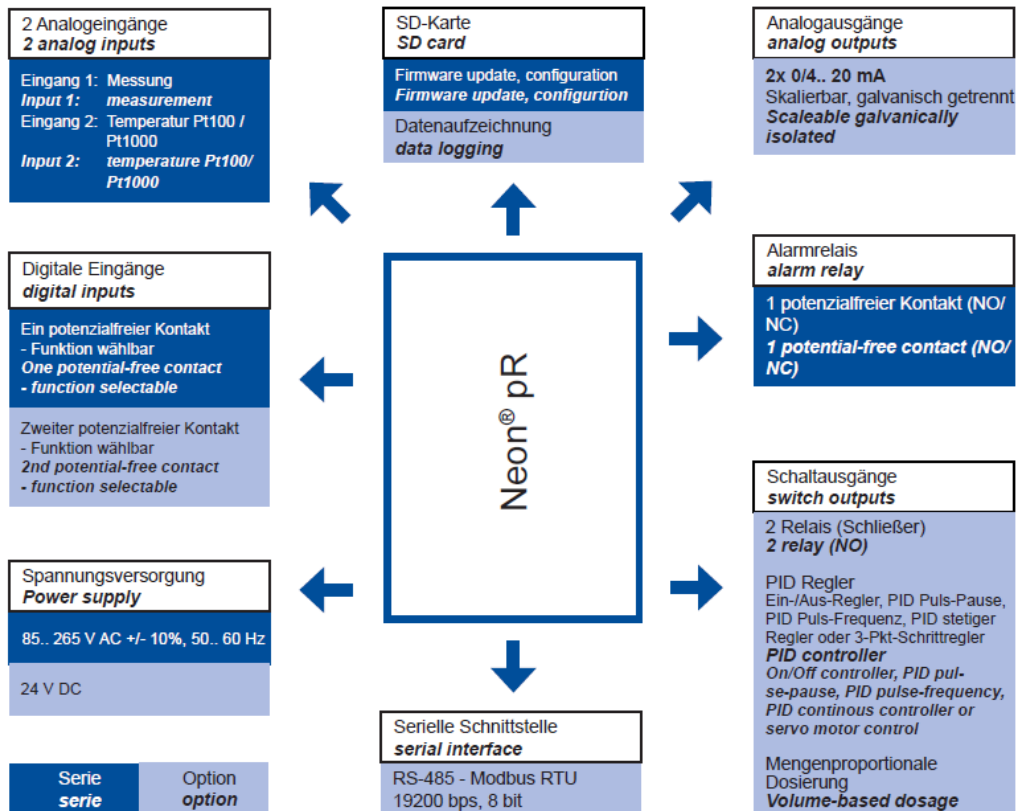
Cable inlet: 2 x M16, 2 x M12 + optional: 2 x M12 and 1 x M25

Plug-in terminal: Rigid / flexible 0.2 - 2.5 mm<sup>2</sup> / 0.2 - 2.5 mm<sup>2</sup>  
Measurement: Rigid / flexible 0.2 - 1 mm<sup>2</sup> / 0.2 - 1.5 mm<sup>2</sup>

## Mechanical drawing



## Interface diagram



**Kuntze Instruments GmbH**  
 Robert-Bosch-Str. 7a  
 40688 Meerbusch  
 Germany

+49 2150 70660  
 info@kuntze.com  
 www.kuntze.com