

Zirkon® Redox Wide Body

Kuntze Kuntze sensors stand for quality and are manufactured by our own production. Made in Germany.

Article No.: S24136512K
Order Code: 219110003K06

Application

- > Flotation
- > Leaching
- > Neutralization
- > Outlet monitoring

Advantages

- > Annular junction, designed to withstand tough industrial applications
- > Threaded connection 3/4" NPT top and bottom for easy installation
- > Protection guard against electrode damage
- > Rugged Ryton® shaft for demanding chemical environments
- > Molded sensor cable with BNC plug application

Measuring Parameter

- > Redox Potential (ORP): -1500.. +1500 mV

Process Conditions

- > Max. Pressure: < 10 bar at 20 °C
- > Min. Conductivity: > 50 µS/cm
- > Temperature: -5..+110 °C

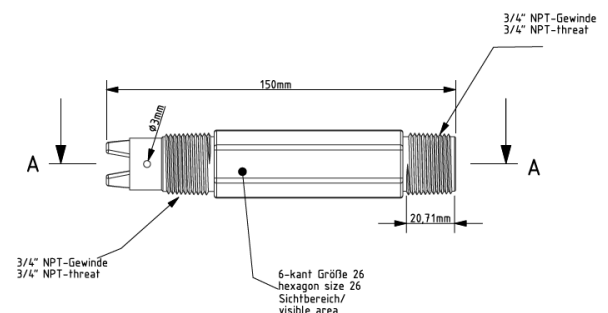
Mechanical Construction

- > Junction: PTFE
- > Shaft Material: Ryton®
- > Shaft Length: 150 mm with protective guard
- > Shaft Diameter: Hexagon 26 mm
- > Electrode Material: Platinum Plate
- > Reference System: Ag / AgCl / Solid electrolyte
- > Process Connection: 3/4" NPT
- > Electrical Connection: Fixed cable 6 m with BNC plug
- > Temperature Sensor: None
- > Installation Depth: 25 mm
- > Potential Compensation: None



Zirkon® Redox Wide Body

Mechanical drawing





Kuntze Instruments GmbH

Robert-Bosch-Str. 7a
40688 Meerbusch
Germany

+49 2150 70660
info@kuntze.com
www.kuntze.com