

Zirkon® pH Wide Body

Application

- > Flotation and Leaching
- > Neutralization and Outlet monitoring

Advantages

- > Annular junction, designed to withstand tough industrial applications
- > Threaded connection 3/4" NPT top and bottom for easy installation
- > Protection guard against electrode damage
- > Rugged Ryton® shaft for demanding chemical environments
- > Optional: Built in Pt1000 sensor for temperature compensation
- > Solution ground for stable measurements in demanding application
- > Optional: Molded sensor cable suitable for submersion application
- > Optional: Molded sensor cable with BNC plug application

Measuring Parameter

- > pH: 0...14 pH

Process Conditions

- > Max. Pressure: < 10 bar at 20 °C
- > Min. Conductivity: 50 µS/cm
- > Temperature: -5...+110 °C

Mechanical Construction

- > Junction: PTFE
- > Shaft Material: Ryton®
- > Shaft length: 150 mm with protective guard
- > Shaft Diameter: Hexagon 26 mm
- > Electrode Material: AH-Glass
- > Reference System: Ag / AgCl / Solid electrolyte
- > Process Connection: 3/4" NPT
- > Electrical Connection: S8 (2 poles), Variopin (8 poles) fixed cable 6 m, fixed cable 6 m with BNC plug
- > Temperature Sensor: Pt1000, None
- > Immersion depth: 25 mm
- > Potential Compensation: Optional

Article No. / Order Code

S24136110K / 2091100010:
With protection guard, AH-glass, 2-poles connection for S8 cable

S24136111K / 209110003K06:
With protection guard, AH-glass, fixed cable 3 mm with BNC, length 6 m

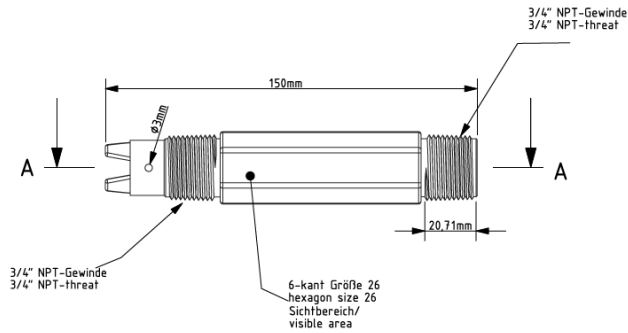
S24136112K / 2091120020:
With protection guard, AH-glass, Pt1000, Variopin plug

S24136113K / 209112004K06:
With protection guard, AH-glass, Pt1000, fixed cable with ferrules, length 6 m



Zirkon® pH Wide Body

Mechanical drawing



Order Code

Group	209	Zirkon® pH Wide Body
Protective guard	0	None
	1	With
Measuring electrode	1	AH-glass, half dome
Temperature sensor	0	None
	1	Pt 100
	2	Pt 1000
	3	NTC 30 kΩ
	9	Customer specification
Solution ground	0	None
	1	Built in
Electrolyte (contact to process)	0	Tepoxgel
	9	Customer specification
Connection	1	2-pole screw connection (temperature sensor 0 and solution ground 0 only)
	2	VP Variopin plug
	3	Fixed cable 3 mm with BNC (temperature sensor 0 and solution ground 0 only)
	4	Fixed cable 7,5 mm with ferrules
	9	Customer specification
	Other	0
K06		Fixed cable length 6 m
9		Customer specification



Kuntze Instruments GmbH

Robert-Bosch-Str. 7a
40688 Meerbusch
Germany

+49 2150 70660
info@kuntze.com
www.kuntze.com