

Zirkon[®] pH Wide Body

Kuntze sensors stand for quality and are manufactured by our own production. Made in Germany.

Article No.: S24136112K
Order Code: 2091120020

Application

- > Flotation
- > Leaching
- > Neutralization
- > Outlet monitoring

Advantages

- > Annular junction, designed to withstand tough industrial applications
- > Threaded connection 3/4" NPT top and bottom for easy installation
- > Protection guard against electrode damage
- > Rugged Ryton[®] shaft for demanding chemical environments
- > Built in Pt1000 sensor for temperature compensation

Measuring Parameter

- > pH-Value: pH 0...14

Process Conditions

- > Max. Pressure: < 10 bar at 20 °C
- > Min. Conductivity: > 50 µS/cm
- > Temperature: -5...+110 °C

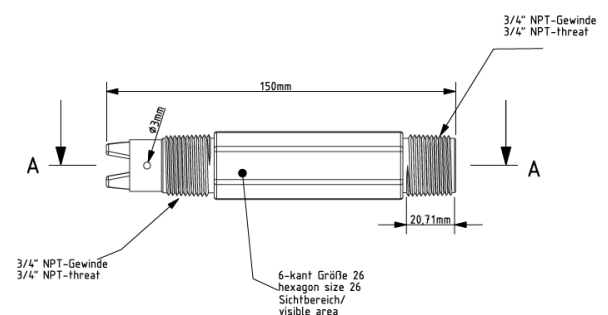
Mechanical Construction

- > Junction: PTFE
- > Shaft Material: Ryton[®]
- > Shaft Length: 150 mm with protective guard
- > Shaft Diameter: Hexagon 26 mm
- > Electrode Material: AH-Glass
- > Reference System: Ag / AgCl / Solid electrolyte
- > Process Connection: 3/4" NPT
- > Electrical Connection: Variopin (8 Poles)
- > Temperature Sensor: Pt1000
- > Installation Depth: 25 mm
- > Potential Compensation: None



Zirkon[®] pH Wide Body

Measuring Parameter





Kuntze Instruments GmbH

Robert-Bosch-Str. 7a
40688 Meerbusch
Germany

+49 2150 70660
info@kuntze.com
www.kuntze.com