

Zirkon[®] Redox Process HT

Kuntze sensors stand for quality and are manufactured by our own production. Made in Germany.

Zirkon[®] Redox Process HT is a high-quality allround sensor for use in many media, specially built for high temperature range. The sensor is particularly suitable for drinking and process water applications.

Advantages

- > Low maintenance due to gel filling
- > Long service life
- > High quality Zirkon junction for reliable measurement results

Measuring Parameter

- > Redox Potential (ORP): -1500...+1500 mV

Process Conditions

- > Max. Pressure: < 10 bar at 20 °C
- > Min. Conductivity: > 150 µS/cm
- > Temperature: -5...+135 °C

Mechanical Construction

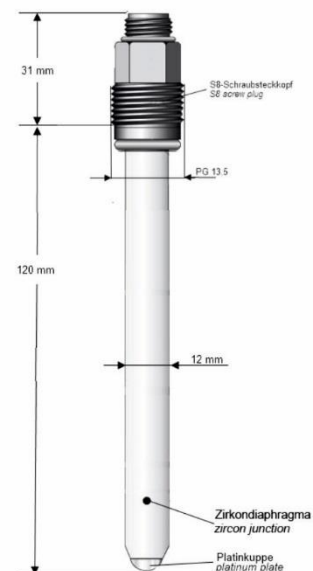
- > Junction: 1 mm Zirkon
- > Shaft Material: Glass
- > Shaft Length: 120 mm
- > Shaft Diameter: 12 mm
- > Electrode Material: Platinum cap
- > Reference System: Ag / AgCl / Solid Electrolyte
- > Process Connection: S8 Plug (Swivel G 13.5)
- > Electrical Connection: 2 Poles
- > Temperature Sensor: None

Article No.: S24135311K
Order Code: 218315100

Zirkon[®] Redox Process HT



Mechanical Drawing





Kuntze Instruments GmbH
Robert-Bosch-Str. 7a
40688 Meerbusch
Germany

+49 2150 70660
info@kuntze.com
www.kuntze.com