

Zirkon® DIS Pool

Kuntze sensors stand for quality and are manufactured by our own production. Made in Germany.

Zirkon® DIS Pool is a potentiostatic sensor using an amperometric measurement. Measurement parameter and range are selected in the analyzer software.

Advantages

- > Automatic cleaning by ASR® possible
- > Low maintenance due to gel filling
- > Stable zeropoint
- > High quality Zirkon junction for reliable measurement results

Measuring Parameter

- > Free Chlorine:
up to 1000 µg/l; up to 5,00 ; 10,00 ; 20,00 mg/l
- > Chlorine Dioxide:
up to 1000 µg/l; up to 5,00 ; 10,00 ; 20,00 mg/l
- > Ozone:
up to 1000 µg/l; up to 5,00 ; 10,00 ; 20,00 mg/l

Process Conditions

- > Max. Pressure: < 10 bar at 20 °C
- > Temperature: -5...+70 °C

Mechanical Construction

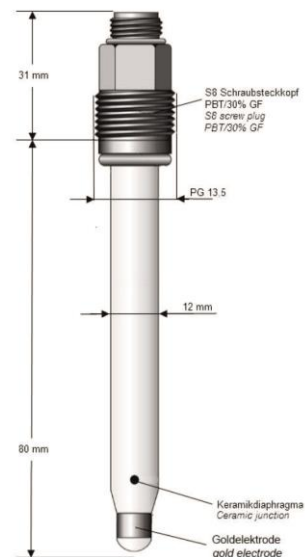
- > Junction: Zirkon
- > Shaft Material: Glass
- > Shaft Length: 80 mm
- > Shaft Diameter: 12 mm
- > Electrode Material: Gold Ring
- > Reference System: Ag / AgCl / saturated KCl
- > Process Connection:
S8 Plug (Swivel PG 13.5)
- > Electrical Connection: 6 Poles

Article No.: S24135288K
Order Code: 237513110

Zirkon® DIS Pool



Mechanical Drawing





Kuntze Instruments GmbH

Robert-Bosch-Str. 7a
40688 Meerbusch
Germany

+49 2150 70660
info@kuntze.com
www.kuntze.com