

Zirkon® Redox Process

Kuntze sensors stand for quality and are manufactured by our own production. Made in Germany.

Zirkon® Redox Process is a high-quality sensor specially built to withstand aggressive media.

Advantages

- > Low maintenance due to gel filling
- > Suitable for aggressive media
- > High quality Zirkon junction for reliable measurement results

Measuring Parameter

- > Redox Potential (ORP): -1500.. +1500 mV

Process Conditions

- > Max. Pressure: < 2 bar at 20 °C
- > Temperature: -5..+70 °C

Mechanical Construction

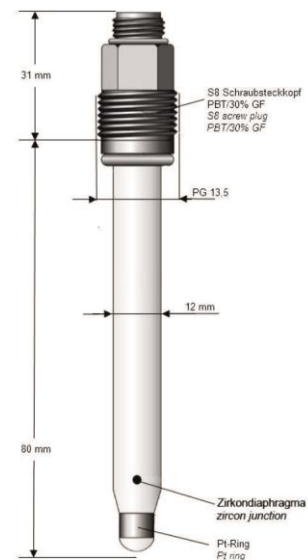
- > Junction: Zirkon
- > Shaft Material: Glass
- > Shaft Length: 80 mm
- > Shaft Diameter: 12 mm
- > Electrode Material: Gold Ring
- > Reference System: Ag / AgCl / Tepox Gel
- > Process Connection: S8 Plug for aggressive Media (PBT 30 % Fibreglass; Swivel PG 13.5)
- > Electrical Connection: 2 Poles

Article No.: S24135135K
Order Code: 213512210

Zirkon® Redox Process



Mechanical Drawing





Kuntze Instruments GmbH

Robert-Bosch-Str. 7a
40688 Meerbusch
Germany

+49 2150 70660
info@kuntze.com
www.kuntze.com