

## Single channel water monitoring system

Controlled and reliable measurements are driven by Kuntze Krypton® systems. The measuring system includes all customer needs for disinfectant measurement: instrument, software, sensors, assembly and cables.

The Kuntze Krypton® DIS is used to measure Free Chlorine, Chlorine Dioxide, Ozone or Hydrogen Peroxide and temperature. Measuring range can be chosen via the instruments menu. Kuntze Krypton® DIS is delivered fully assembled and ready to use.

The water measurement process can be controlled at any time, from any place, on any device via Kuntze's Cloud Connect® service. All Kuntze products are Made in Germany.



## Applications



Process Water



Disinfection



Drinking Water



Waste Water Treatment



Pool & Spa

## Technical data

### Measuring range

Free Chlorine, Chlorine Dioxid	up to 1000 µg/l, 5.00 mg/l / 10.00 mg/l / 20.00 mg/l
Ozone	up to 1000 µg/l, 5.00 mg/l / 10.00 mg/l
Hydrogen Peroxide	up to 30.0 mg/l

### Input characteristic

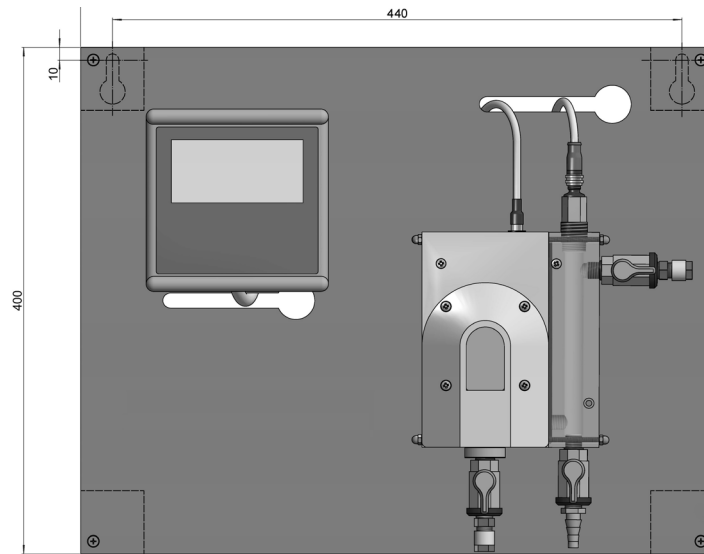
Temperature measuring range	-22.0° .. 284°F
Temperature compensation	0.0 .. 8.0 % / K adjustable coefficient
Digital input	1 as controller stop by external contact, option: 2nd as controller stop or flow measurement for volume based dosing.
Measurement conditions	pressure depending on assembly

### Output characteristics

Alarm relay	1 potential-free N/O contact, max. 250 V, 6 A, 550 VA (invertable)
Output signal	optional: 2 x 0/4 .. 20 mA (scaleable, galvanically isolated)
Load	max. 500 Ohm
Registration range	scaleable within the measuring range

Storage media	SD card up to 1 GB - Industry standard	
Serial interface	Option:	RS 485 Modbus RTU
	Baud rate	19200 bps
	Data format	8 bit
<b>Power supply</b>		
Line voltage	85.. 265 V AC, +/-10%, 50.. 60Hz; option: 24 V DC	
Power consumption	10 V	
<b>Process conditions</b>		
Temperature	Storage	-4°..+149°F exception sensor: 32°..86°F
	Operation	32°.. 122°F
pH range	Free Chlorine	pH 6...8 constant
	Chlorine Dioxide, Ozon	
	Hydrogen Peroxid	pH 6...9
Humidity	max. 90% rH at 40°C (non-condensing)	
Protection class	Wall mounted	IP 65
	Panel mounted	IP 54 (front), IP 30 (housing)
<b>Controller</b>		
Control response	Option: on/off controller (adjustable hysteresis) P/PI/ PID controller (pulse-pause, pulse-frequency or continuous output) 3-point controller	
Relay	2 relays, each with a potential-free N/O contact, max. 250V, 6A, 550 VA	
Start delay	0.. 200 sec until controller active	
Controller stop	Digital input	
<b>Proportion to volum</b>		
Control mode	Option: volumed based by flow measurement	
Flow measurement	Impuls measurement NPN (by digital input 2)	
Flow measurement	Engine speed	0.030.. 9.999 l/Imp
Relay 1	Potential-free N/O contact, max. 250V, 6 A, 550 VA (pulse-pause, pulse-frequency)	
Relay 2	Activating circulation pum	
<b>Certificates and approval</b>		
CE-Symbol	The product meets the requirements of the harmonized European standards and complies with the legal requirements of the EC directives.	
EMC	EN 61000 6-1 (3) EN 61000 6-2 (4) EN 61326	
<b>Design configuration</b>		
Material	Board	PVC
	Assembly	PVC
	Instrument	ABS
	Sensor	Glass, plastic / gold / platin / Hastelloy / InnoDisk®
Dimensions	400 x 500 mm	
Connection	cable inlet:	6x M16, 10x M12 + optional: 1x M25
	plug-in terminal:	rigid/ flexible 0.14 - 1.5 mm <sup>2</sup>
	relays / power supply	rigid/ flexible 0.2-1 / 0.2-1.5 mm <sup>2</sup>
	distribution block	0.5-1.5/ 0.5-1.5 mm <sup>2</sup>
	water hose connection	DN 6/8

## Mechanical drawing



## Interface diagram

