

GD 3 V(G) (PP)

Flow assembly for installation of one sensor AuAu-600-OO-2-1-PG or PtPt-600-OO-2-1-PG with adhesive coupling or pipe coupling DN 25 with 1" female thread. Available in PVC and PP.

Advantages

- > Defined incident flow
- > Easy to dismantle

Technical data

Ambient conditions

- > Max. pressure PVC: 16 bar (at 20 °C) PP: 10 bar (at 20 °C)
- > Temperature max. 40°C (PVC) max. 90 °C (PP)

Mechanical construction

- > Material PVC, PP
- > Dimensions See dimension drawing
- > Installation GD 3 V: Adhesive coupling
GD 3 VG (PP): pipe coupling DN 25 with 1" female thread

Articlenumber:

36604280K: Type: GD 3 V, Description: Adhesive coupling (DN 25), PVC

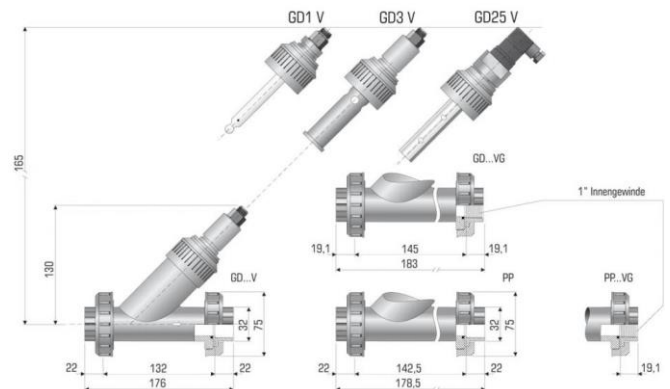
36604281K: Type: GD 3 VG: Description: Pipe coupling (DN 25) with 1" internal thread, PVC

36604285K: Type: GD 3 VG PP, Description: Pipe coupling (DN 25) with 1" internal thread, PP

GD 3 V(G) (PP)



Mechanical drawing





Kuntze Instruments GmbH
Robert-Bosch-Str. 7a
40688 Meerbusch
Germany

+49 2150 70660
info@kuntze.com
www.kuntze.com