

## Zirkon® DIS

Article Number S24135130K

Order Code 231512110



**KUNTZE Sensors** stand for quality and are manufactured by our own production. Made in Germany.

Zirkon® DIS is a potentiostatic sensor using an amperometric measurement. Measurement parameter and range are selected in the analyzer software.

### Advantages of the Zirkon® DIS

- Low maintenance due to gel filling
- Stable zeropoint
- High quality Zirkon junction for reliable measurement results

### Measuring Parameter

Free Chlorine up to 1000 µg/l; up to 5,00 / 10,00 / 20,00 mg/l

Chlorine Dioxide up to 1000 µg/l; up to 5,00 / 10,00 / 20,00 mg/l

Ozone up to 1000 µg/l; up to 5,00 / 10,00 / 20,00 mg/l

### Process Conditions

Max. Pressure <10 bar at 20°C

Temperature -5...+70°C

### Mechanical Construction

Junction Zirkon

Shaft Material Glass

Shaft Length 80 mm

Shaft Diameter 12 mm

Electrode Material Gold Ring

Reference System Ag / AgCl / Tepox Gel

Process Connection S8 Plug (Swivel PG 13.5)

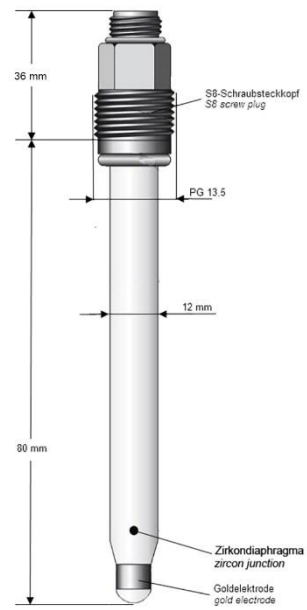
# Data sheet



Electrical Connection

6 Poles

## Mechanical Drawing



Zirkon® DIS  
S24135130K