

GD 1 V(G) (PP)

Flow assembly

- Easy to dismantle
- Ideal for sensors with thread PG 13.5
- Easy mounting by bonding or 1" female thread



GD 1 VG

Description

Flow assembly for installation of one pH or ORP sensor in pipes with adhesive coupling or pipe coupling DN 25 with 1" female thread. Available in PVC and PP.

Technical data

Ambient conditions

Max. pressure
Temperature

PVC: 16 bar (at 20°C) PP: 10 bar (at 20°C)
max 40 °C (PVC) max. 90 °C (PP)

Mechanical construction

Material
Dimensions
Installation

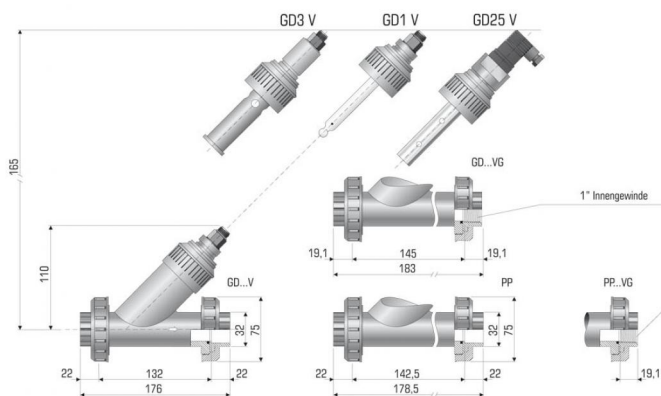
PVC, PP
see dimension drawing
GD 1 V: adhesive coupling GD 1 VG (PP): pipe coupling DN 25 with 1"
female thread



GD 1 V(G) (PP)

Flow assembly

Mechanical drawing



GD 1 V(G)

Article number	type/configuration	Description
36604261K	GD 1 V	adhesive coupling (DN 25), PVC
36604263K	GD 1 VG	pipe coupling (DN 25) with 1" internal thread, PVC
36604265K	GD 1 VG PP	pipe coupling (DN 25) with 1" internal thread, PP

